

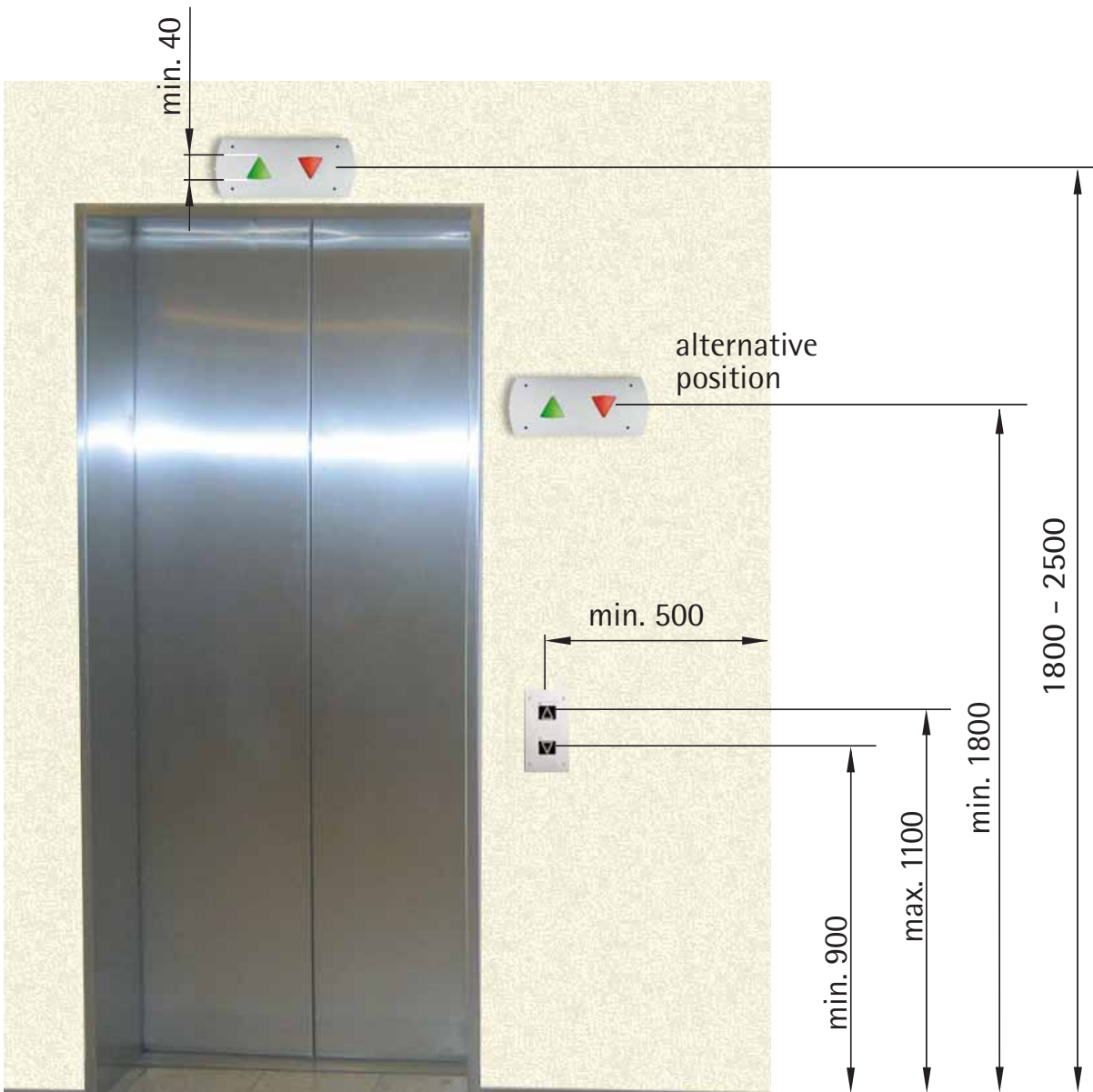
SCHAEFER

Accessibility to lifts for persons including persons with disability

EN
81-70



PRODUCT
INFORMATION



Landing control devices



MT 42 MB

RT 42 MB

XL



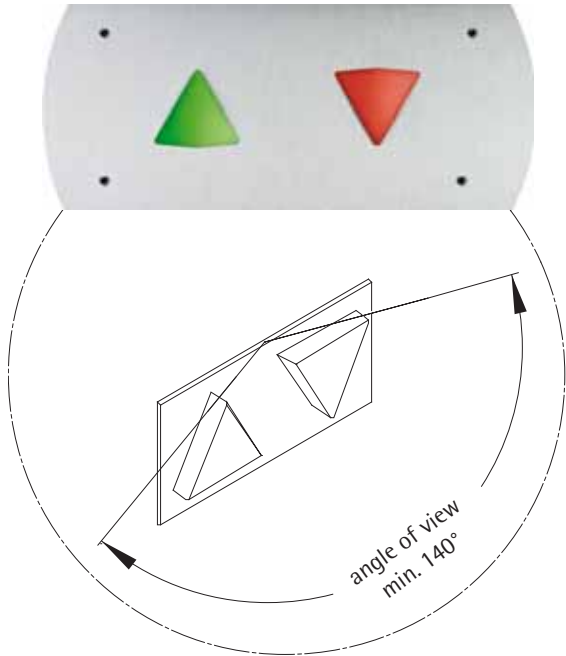
MT 56 MB

XL



MT 56 RLR

Direction Indicator



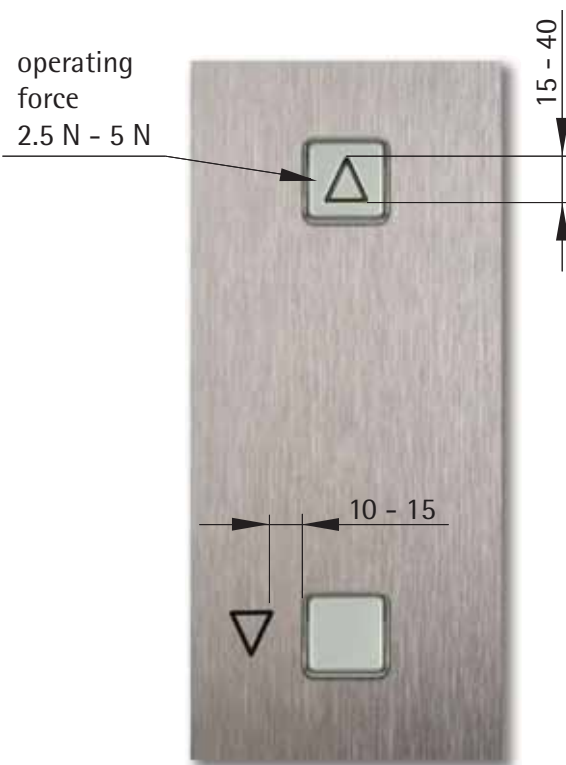
audible signal when lighting up

- one sound for up
- two sounds for down



Gong
PG 56

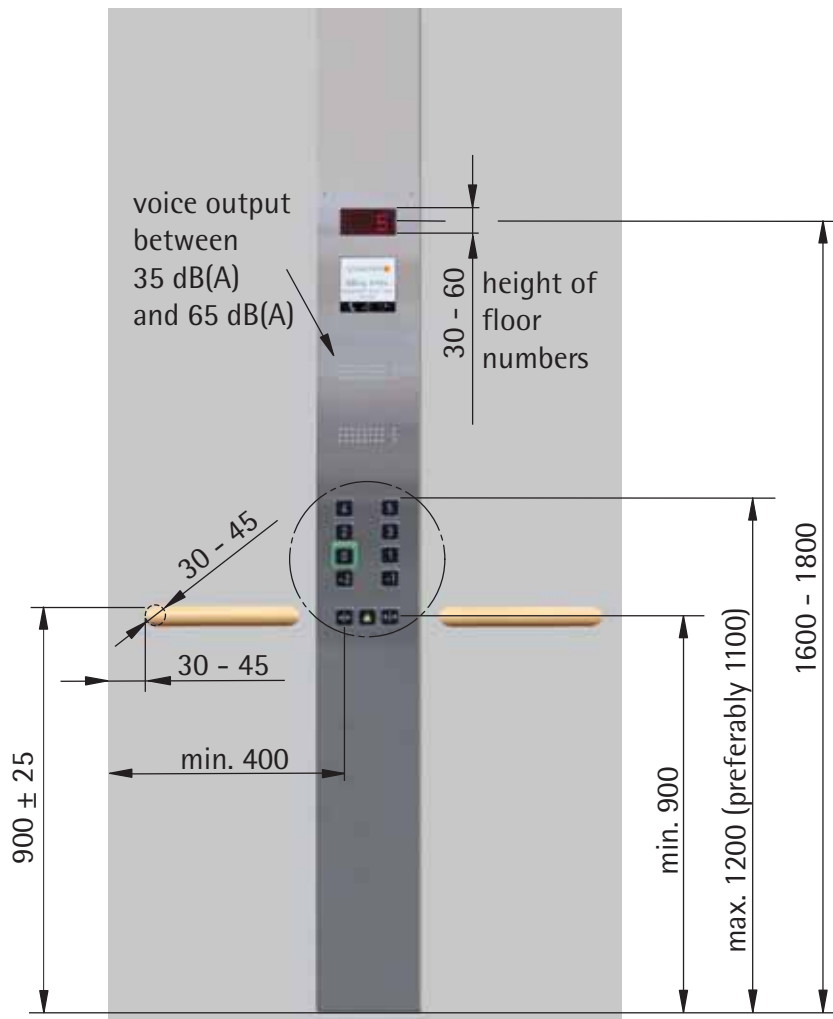
Calling control



visible and audible registration
feedback, adjustable between
35 dB (A) and 65 dB (A)

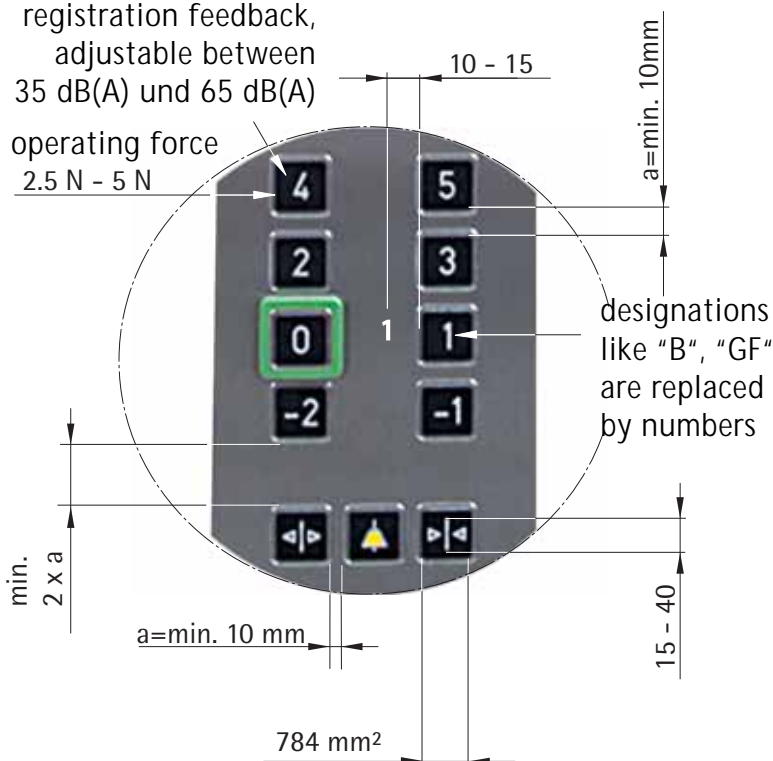


Module
for audible
Registration
Feedback
(AQ)



visible and audible registration feedback, adjustable between 35 dB(A) und 65 dB(A)

operating force 2.5 N - 5 N



buttons should protrude some millimeters beyond the car wall



Buttons



floor buttons:
identified by
symbols
-2, -1, 0, 1, 2, etc.

MT 42 MB Braille



door open button

MT 42 MB



button with green
marking ring for
exit building

MT 42 MB Braille



door close button

MT 42 MB

Emergency call



alarm button with a yellow bell-shaped symbol

RT 42



yellow illuminated pictogram
alarm has been given,
audible signal to indicate that the alarm has been given

RA 42



green illuminated pictogram
emergency call / alarm has been registered,
audible signal to indicate that the alarm has been registered
(voice link)

RA 42



Styles 42

Grid dimension 42



marking ring
exit floor
Style 42 SQUARE
MT 42



MT 42



marking ring
exit floor
EB 42, EBM 42



EB 42



EBM 42



marking ring
exit floor
Style 42 ROUND
RT 42, RT 42 wg
VB 42, VB 42 M



RT 42



RT 42 wg



VB 42



VB 42 M



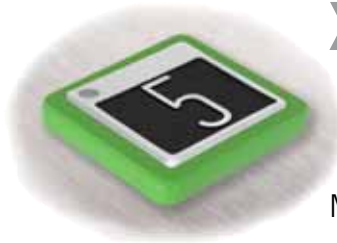


Styles
56

Grid Dimension 56



marking ring
exit floor
Style 56 SQUARE
MT 56



XL

MT 56 MB

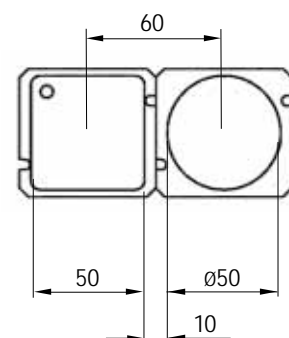
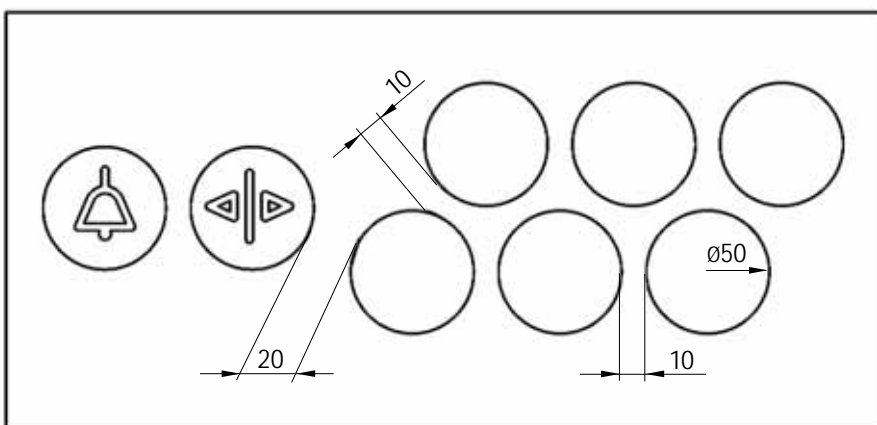
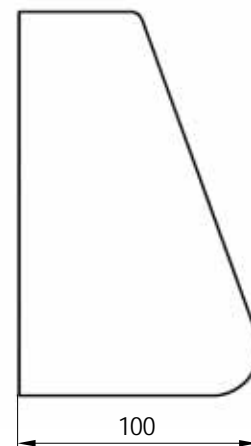
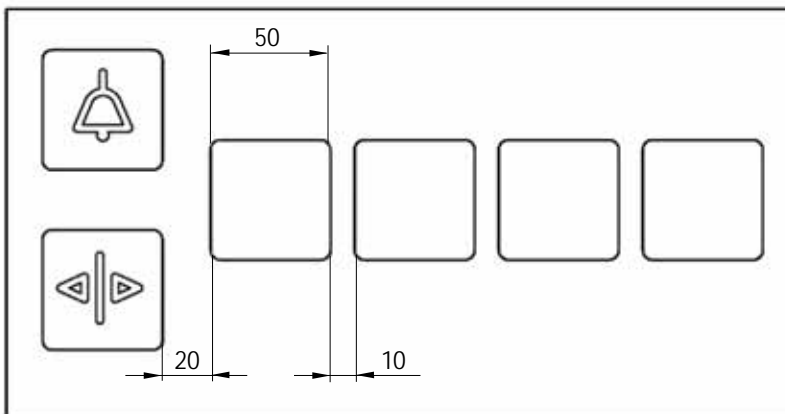


marking ring
exit floor
Style 56 ROUND
MT 56



XL

MT 56 RLR





Visual and tactile contrasts

SEE - FEEL - DISTINGUISH



- colour contrast
- adjusted illumination
- tactile figures and symbols
- Braille



For further information,
please refer to catalogue